

OSHWatch System Design

Revision 2.0

Author: Jared Sanson (jared@jared.geek.nz)

Website: <http://jared.geek.nz/2014/jul/oshw-oled-watch>

Overview

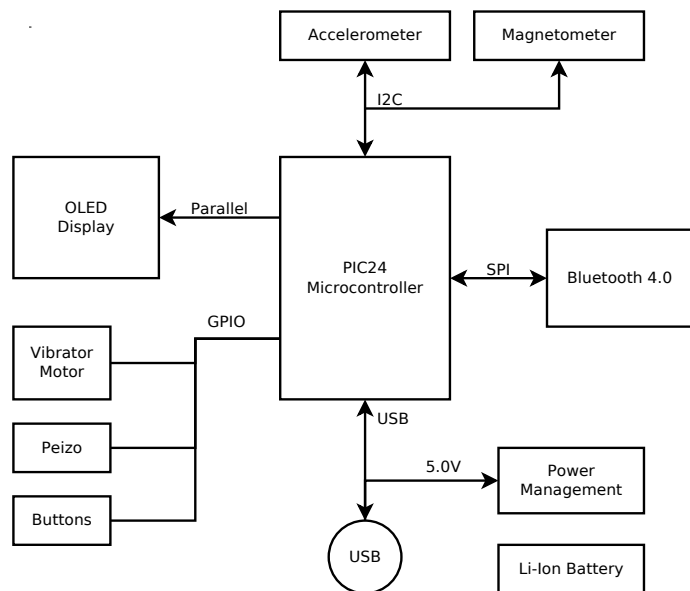
The OSHWatch is a custom-built smartwatch platform, built as a learning exercise, and intended to be able to be built with modest tool and part requirements. The current revision has a few issues which will be fixed in the next revision.

Requirements:

- Can tell the time!
- Alarm clock
- Easily programmable
- Fast graphics drawing
- Low power use/Long battery life
- USB communications
- Bluetooth LE communications
- Built-in battery charger

Features:

- 128x128 colour OLED display
- Bluetooth 4.0 LE
- PIC24 DA 16-bit Microcontroller
- 3 Axis Accelerometer
- 3 Axis Magnetometer
- Peizo buzzer
- Vibrator motor



Firmware

The firmware is written using the XC16 compiler, and is available here:

<https://github.com/jorticus/zeitgeber-firmware>

Features:

- Custom Real-Time Operating System (RTOS)
- USB-HID bootloader and communications
- Abstraction of application layer and peripheral/driver layer

